
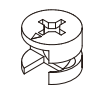

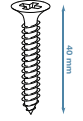


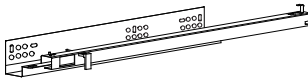

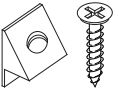


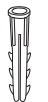



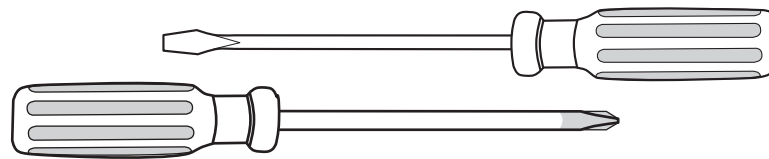
# Eros Bedside Table

Thank you for your purchase.  
Please follow the instructions below for correct assembly.

<b>A</b>  18 x bolt	<b>B</b>  18 x locking nut	<b>C</b>  20 x dowel	<b>D</b>  4 x long screw	<b>E</b>  8 x small screw
<b>F</b>  10 x Long screw	<b>G</b>  4 x L+R Slide rail	<b>H</b>  6 x long screw	<b>I</b>  4 x wedge	

HARDWARE SUPPLIED

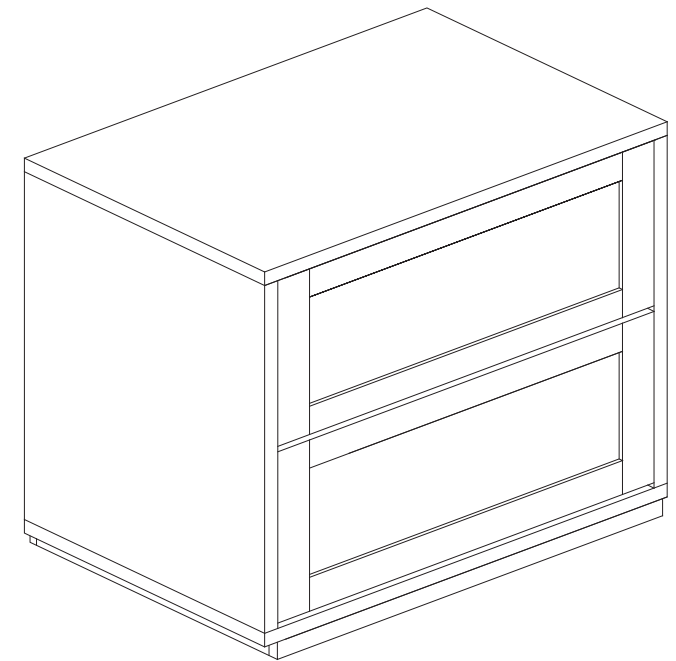
<b>W</b>  1 x safety strap	<b>Y</b>  1 x long screw
<b>X</b>  1 x wall anchor	<b>Z</b>  1 x washer



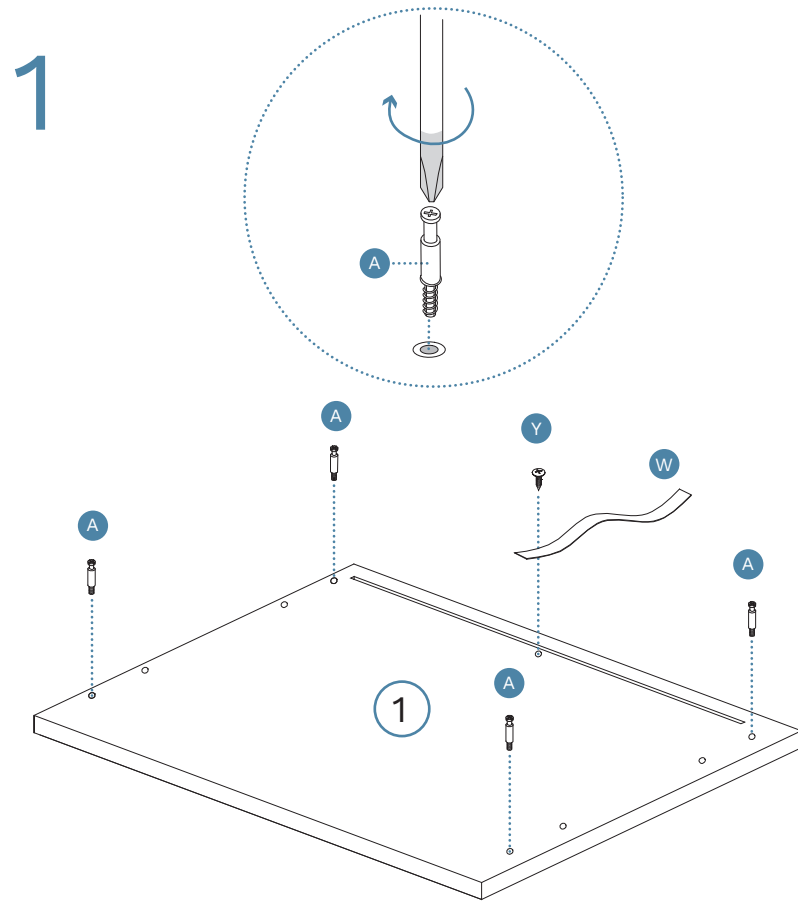
Phillips & Flathead screwdrivers and hammer required

\*We recommend using a Flathead screwdriver to tighten all locking nuts 100% before first use.

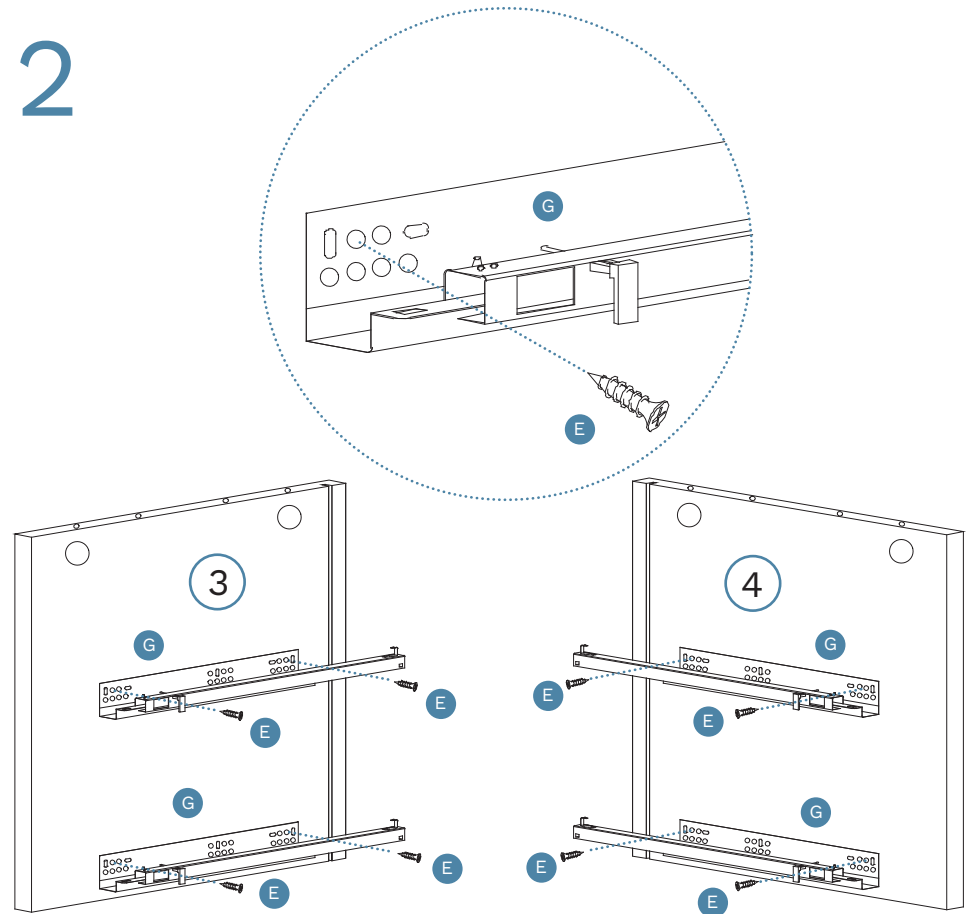
**WARNING:** Any furniture that is not anchored to a wall has the potential to tip over in certain circumstances, i.e. if a child attempts to climb up on the furniture or in the event of an earthquake. Accordingly, we recommend that all furniture is anchored to a wall. We supply a free safety wall anchor with all furniture sold and we recommend these are used to prevent your product tipping. The fixing device provided should fit most wall types, but please note that different wall materials may require different fixing devices from those supplied.



# Eros Bedside Table



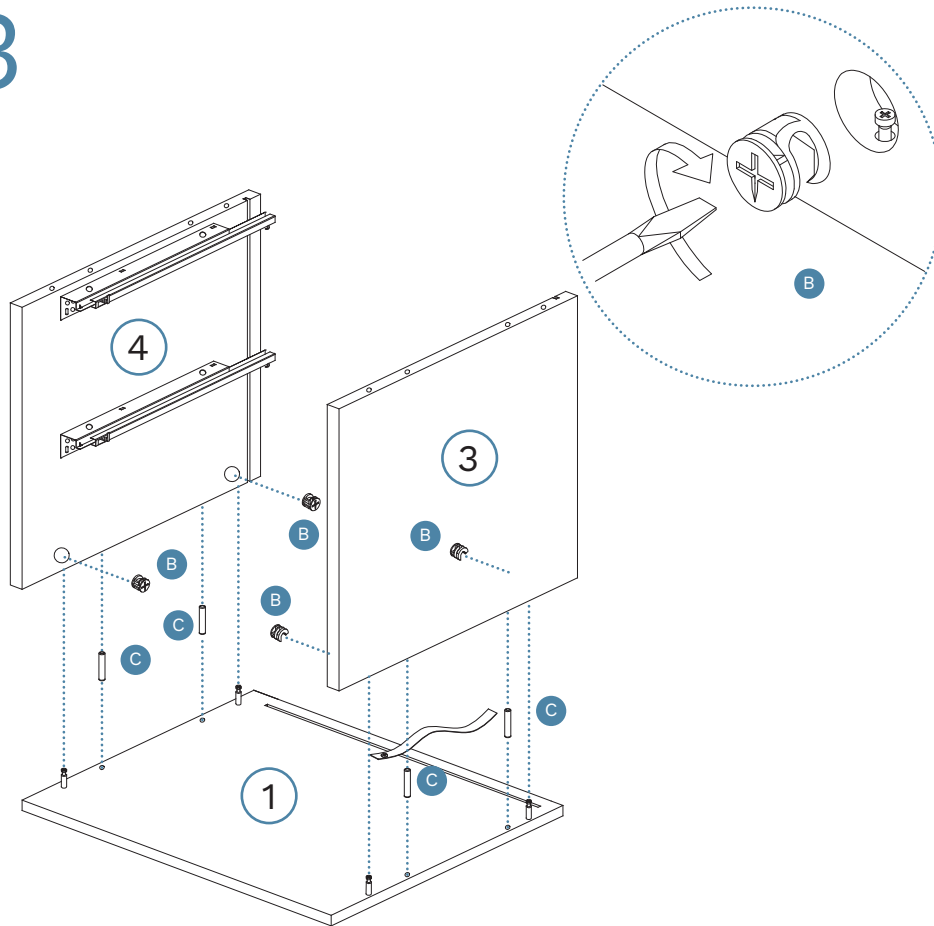
Insert 4 x bolts (A) into panel [1]. Attach 1 x wall strap (W) to panel [1] using 1 x screw (Y). Tighten with a screwdriver.



Attach 2 x left slide rails (G) to panel [3] and secure with 4 x small screws (E). Attach 2 x right slide rails (G) to panel [4] and secure with 4 x small screws (E). Tighten with a screwdriver.

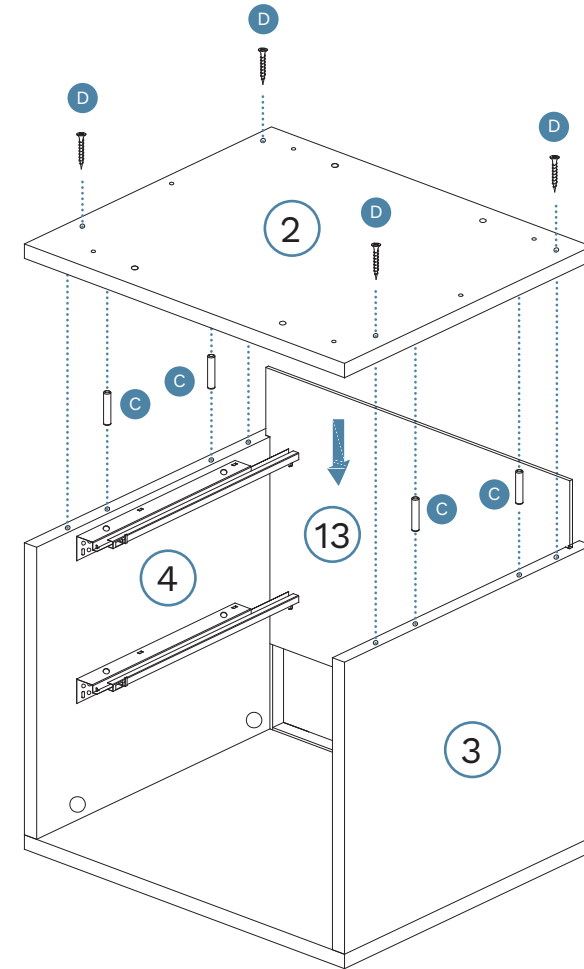
# Eros Bedside Table

3



Insert 4 x dowels (C) into panels [3] and [4]. Attach panels [3] and [4] to panel [1] and secure with 4 x locking nuts (B). Tighten with a screwdriver.

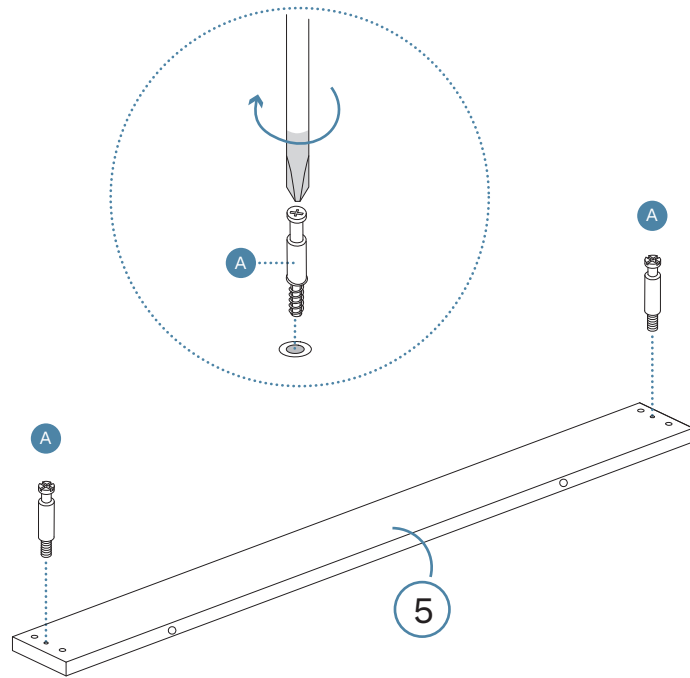
4



Slide panel [13] between the grooves on panels [3] and [4] to form the back of the unit as shown. Insert 4 x dowel (C) into panels [3] and [4]. Attach panel [2] to panels [3] and [4], secure with 4 x long screws (D). Tighten with a screwdriver.

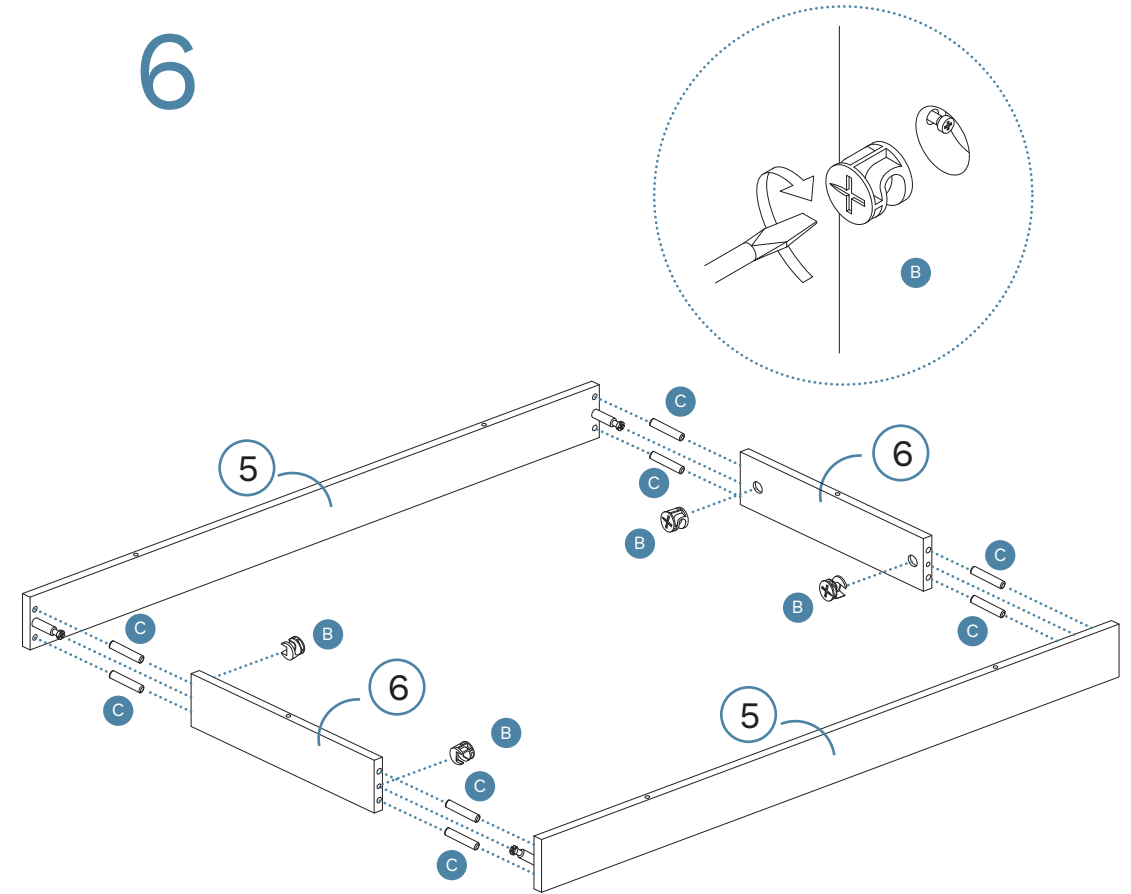
# Eros Bedside Table

## 5 Panel piece x 2



Attach 4 x bolts (A) into panels [5]. Tighten with a screwdriver.

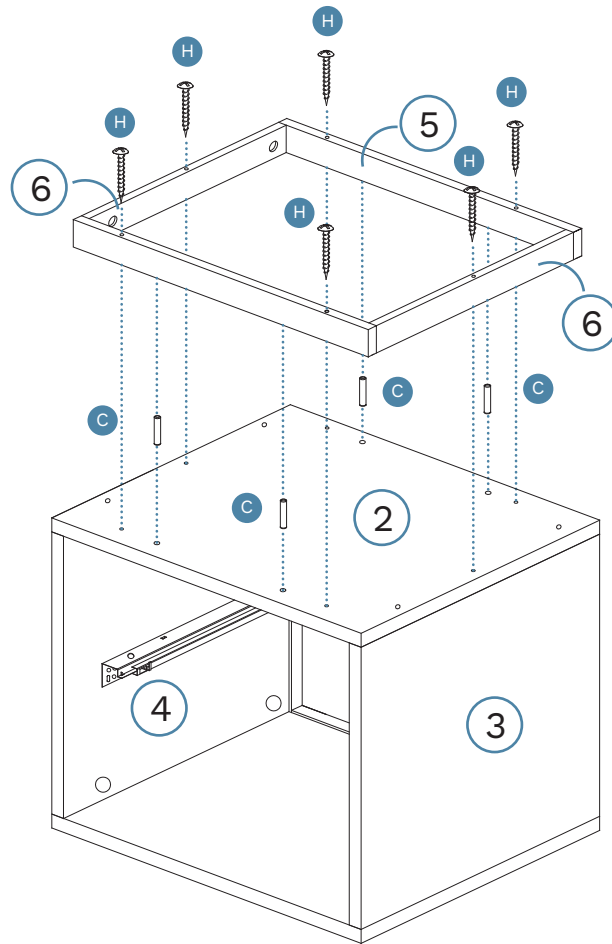
## 6



Insert 8 x dowels (C) to panels [6] and attach panels [5]. Insert 4 x locking nuts (B) into panels [6]. Tighten with a screwdriver.

# Eros Bedside Table

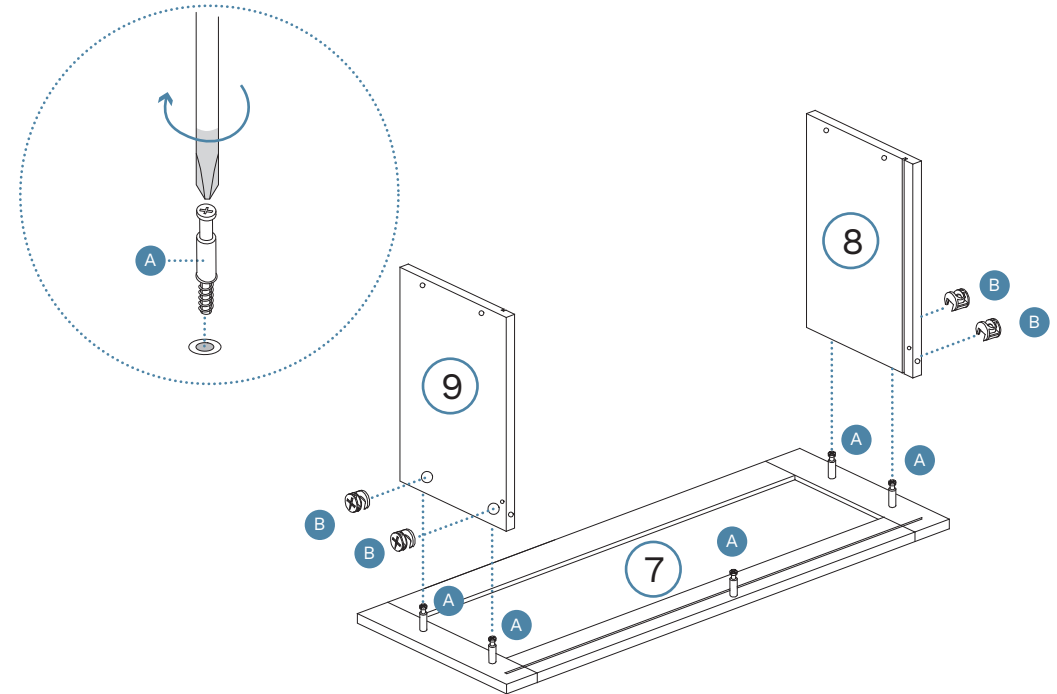
7



Insert 4 x dowels (C) into panels [5] and [6]. Attach panels [5] and [6] to panel [2] and secure with 6 x long screws (H). Tighten with a screwdriver.

8

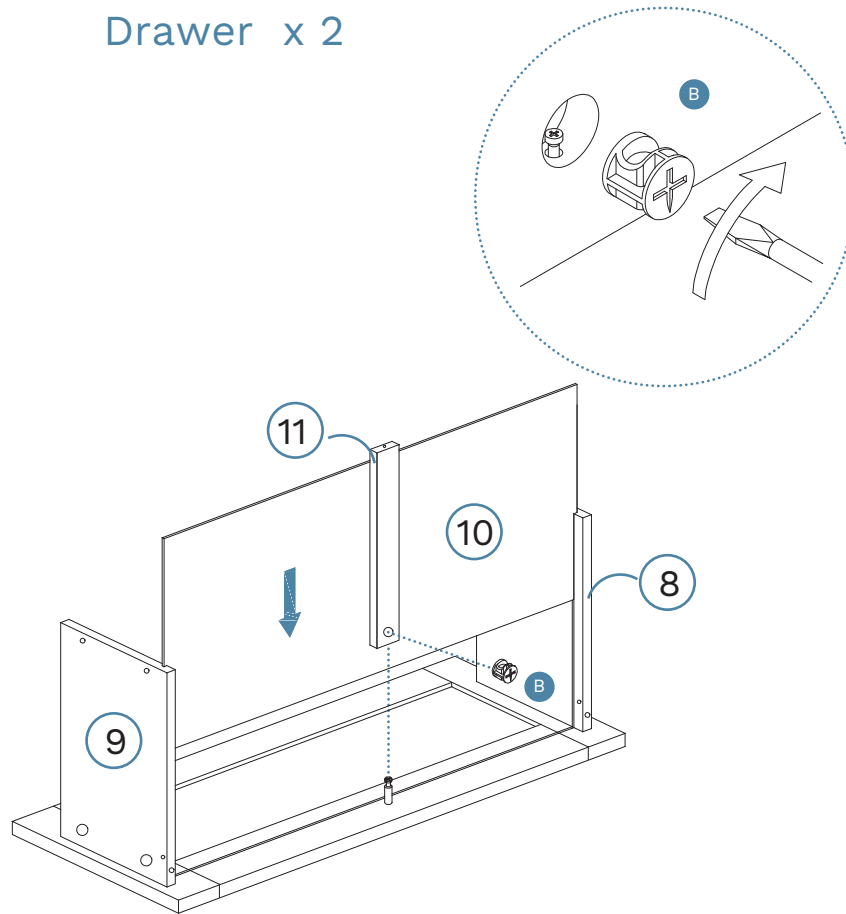
Drawer x 2



Insert 10 x bolts (A) into panel [7]. Attach panels [8], [9] and [11] to panels [7] and secure with 8 x locking nuts (B). Tighten with a screwdriver.

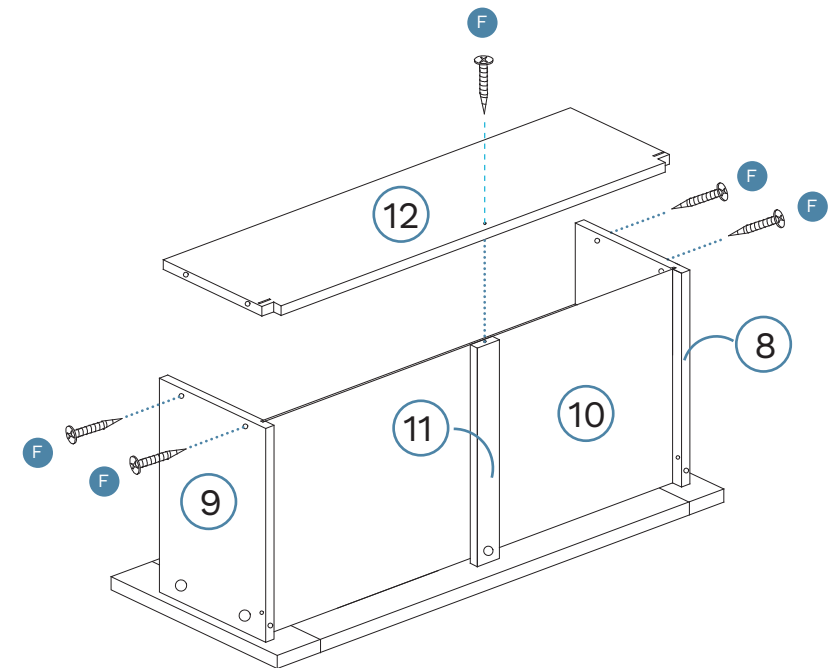
# Eros Bedside Table

## 9 Drawer x 2



Slide panels [10] between the grooves on panels [8] and [9] to form the base of the drawer as shown. Attach panels [11] to panels [9] and secure with 2 x locking nuts (B).

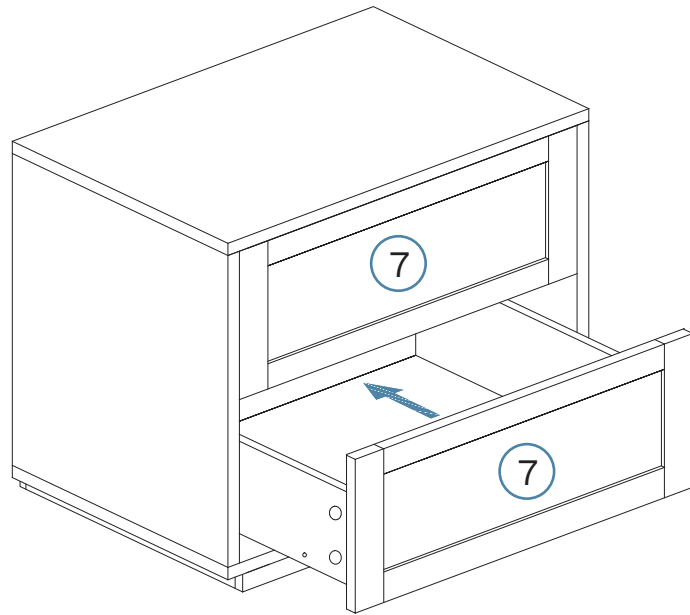
## 10 Drawer x 2



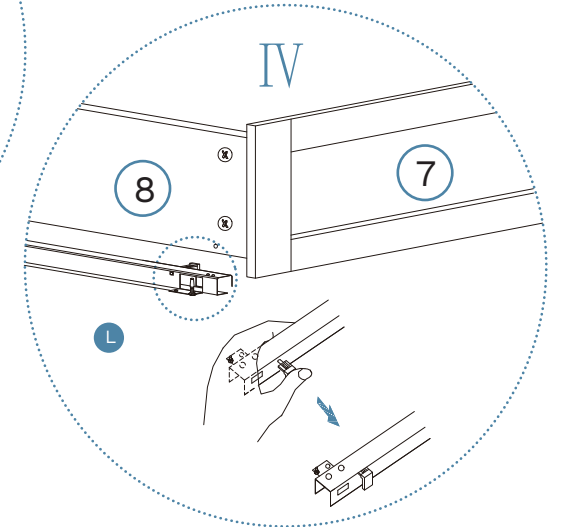
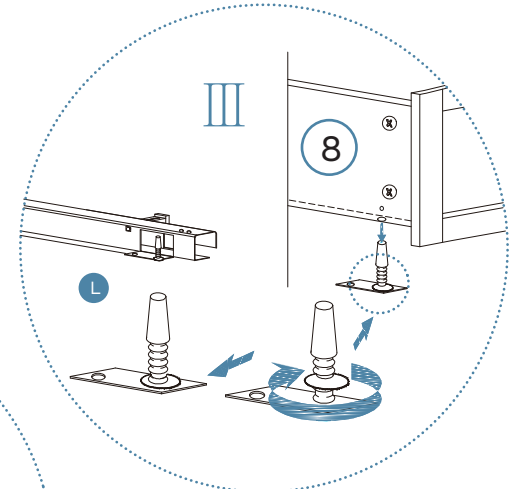
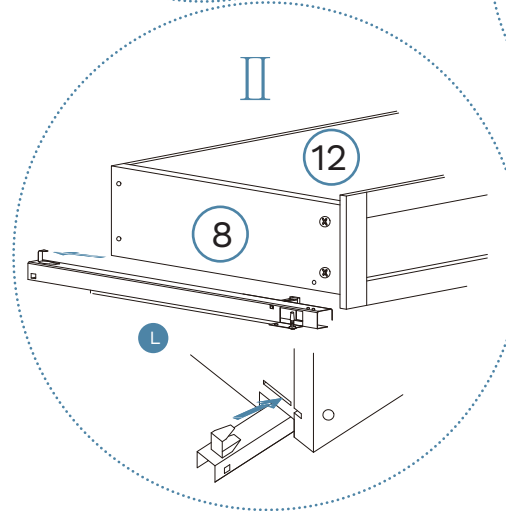
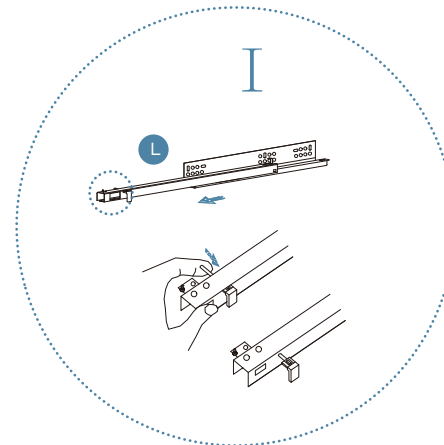
Attach panels [12] to panels [8], [9] and [11] secure with 10 x medium screws (F). Tighten with a screwdriver.

# Eros Bedside Table

11

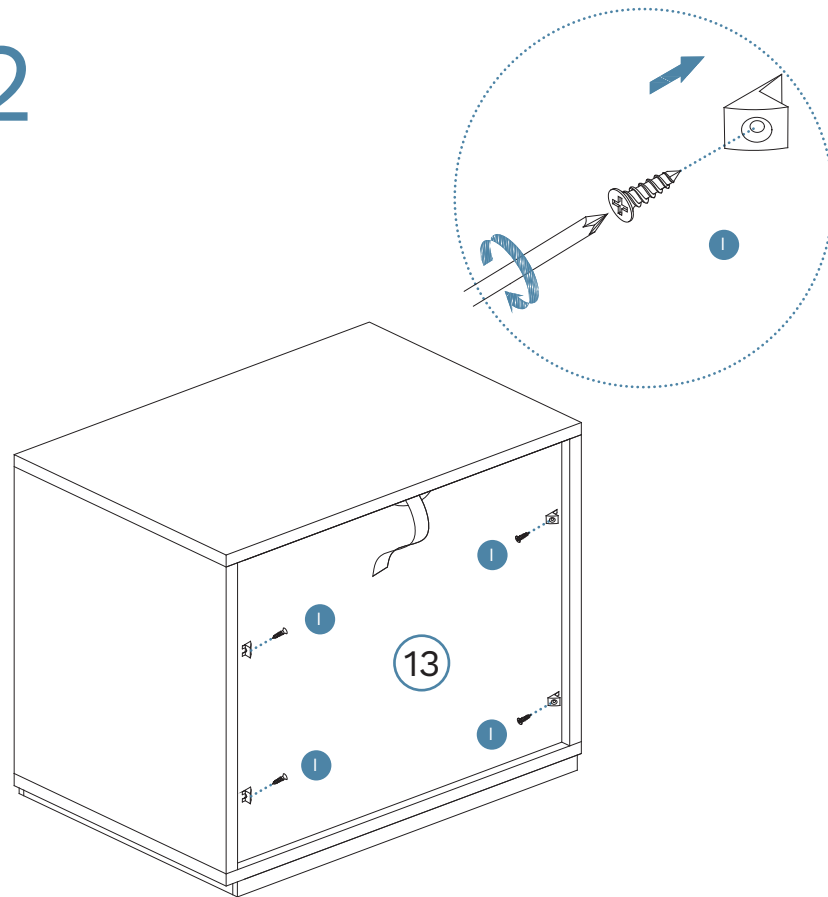


Now both drawers are made up, slide them into rails in the bedside table.  
Tighten with a screwdriver.



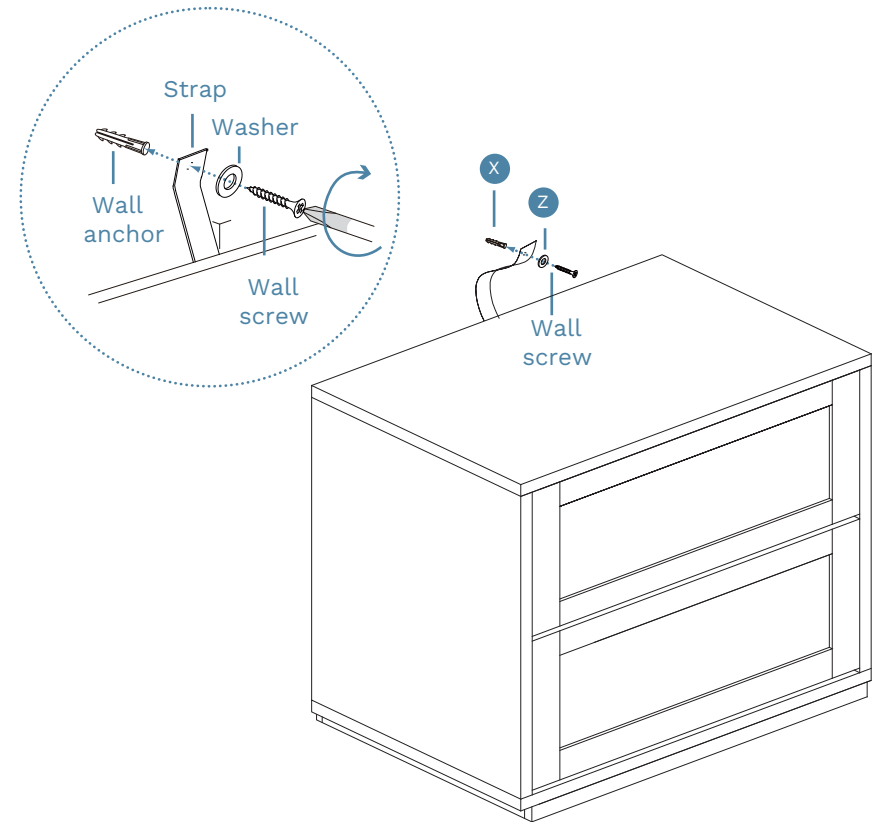
# Eros Bedside Table

12



Attach 4 xwedges (l) to panel [13]. Tighten with a screwdriver.

13



Once assembled lift furniture into place, do not drag. Use a drill to create a small hole lining up with the top of the safety strap (W). Fasten to wall using wall anchor (X), washer (Z) and screw. Ensure the unit is balanced and steady before use. You're done, enjoy!